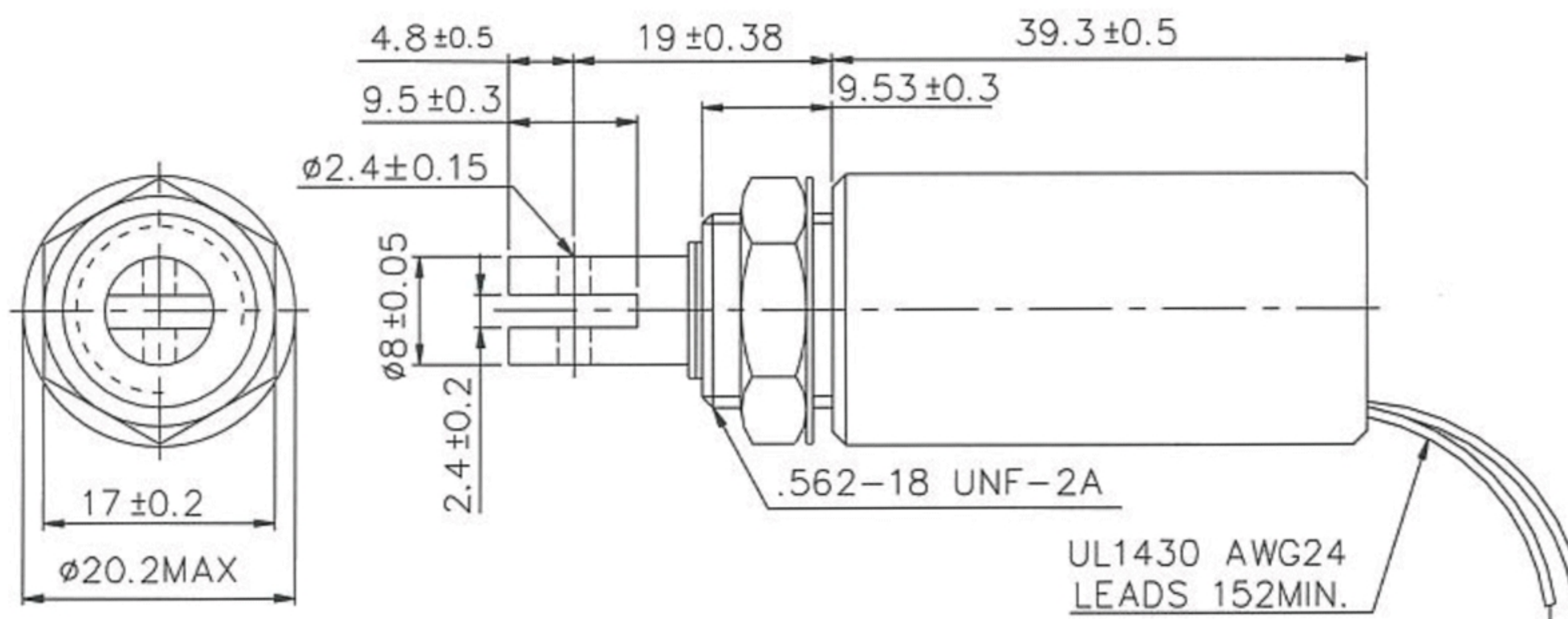
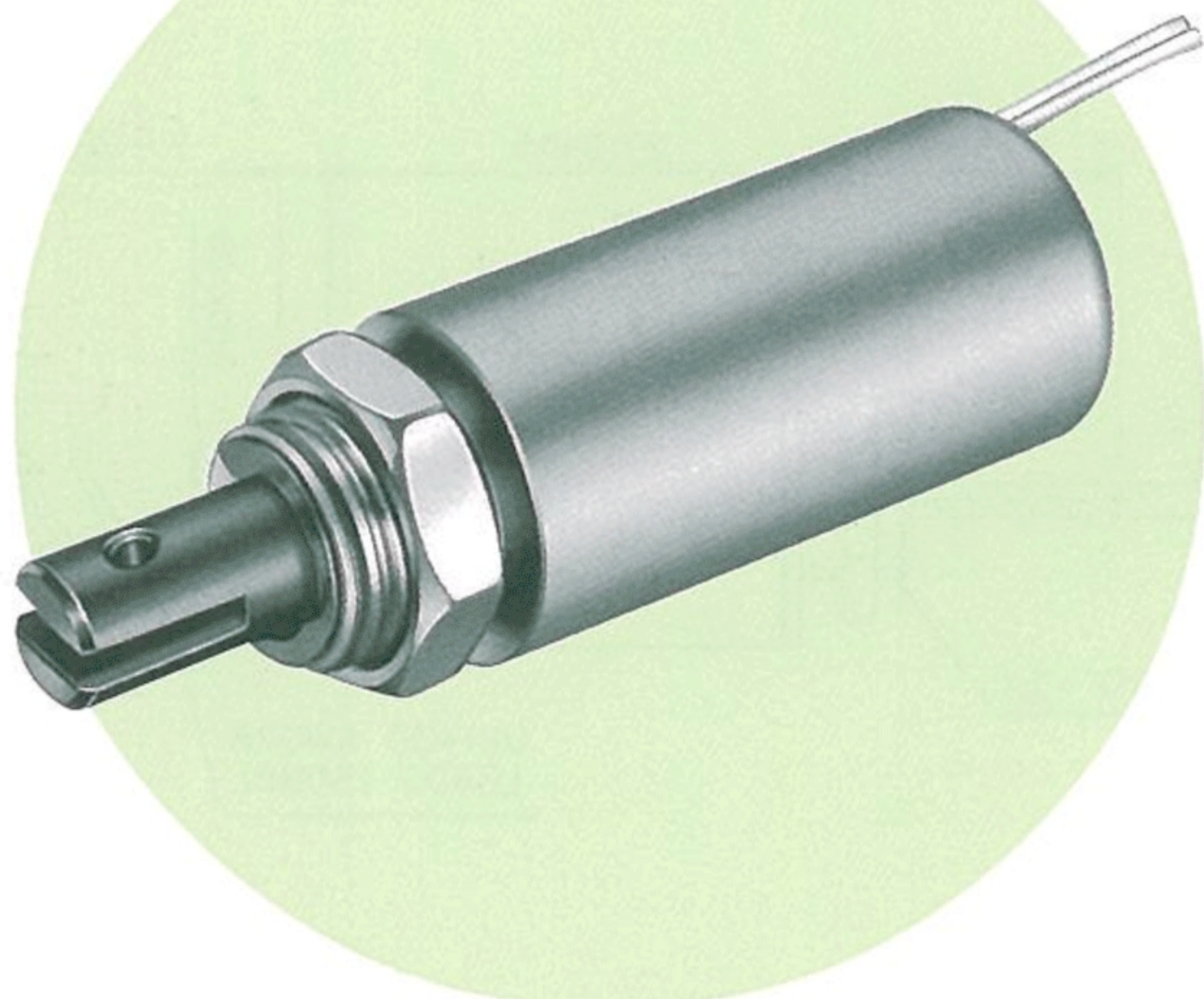


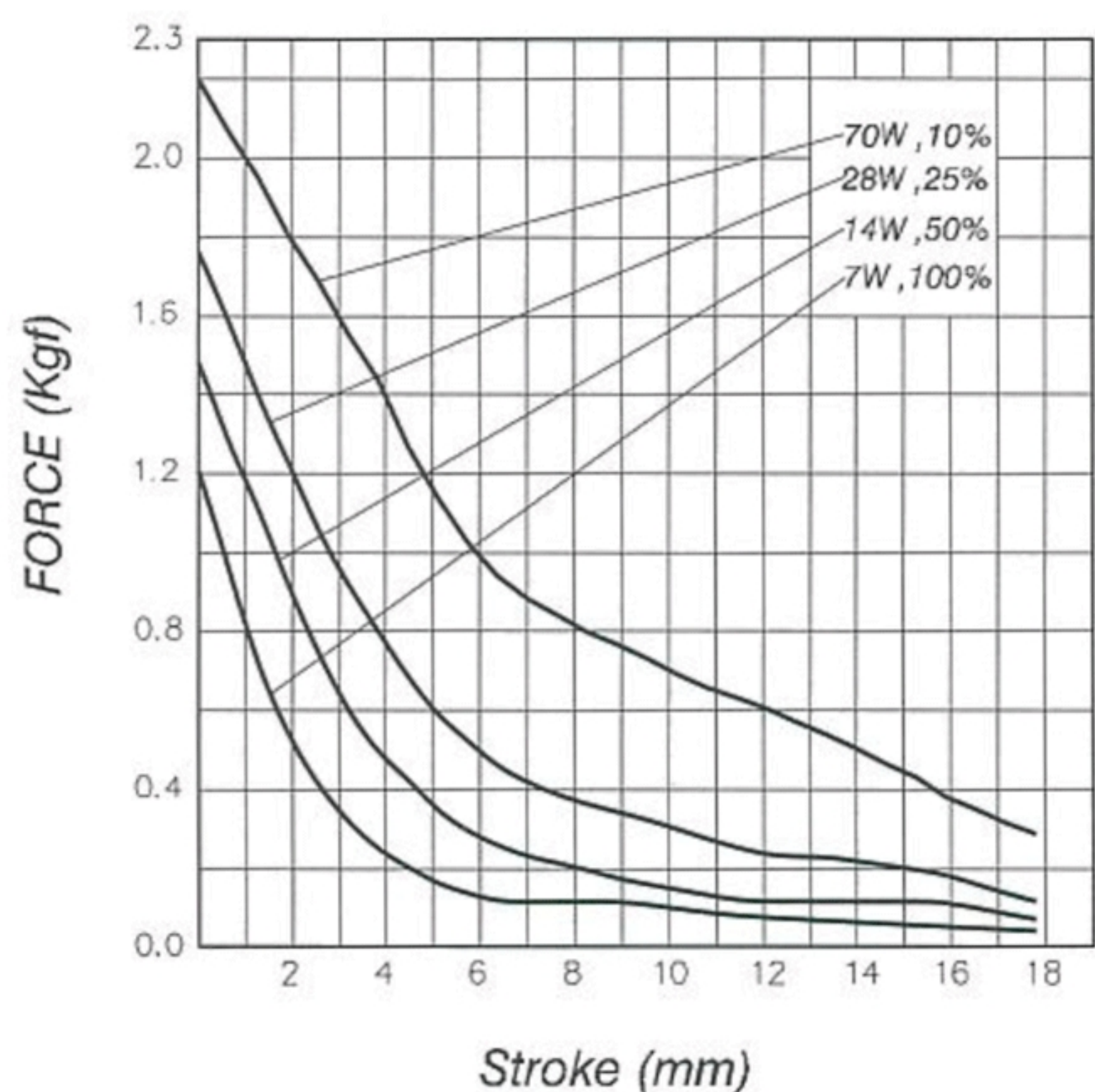
型号/Type no: HTT-1939L



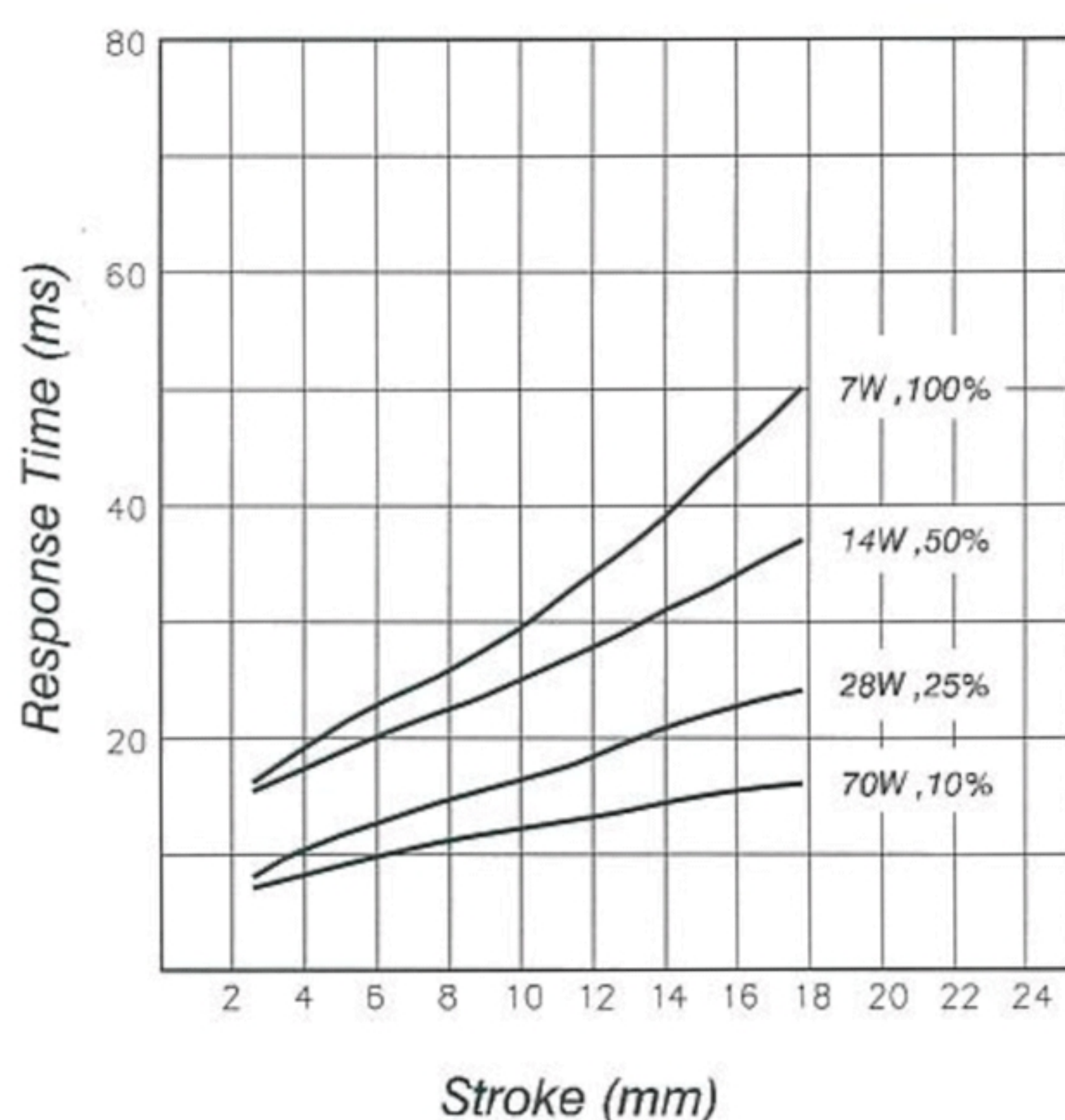
Plunger Weight 可动铁心重量 : 20g
Total Weight 总重量 : 82g

Shown Energized 通电状态 UNIT 单位: mm

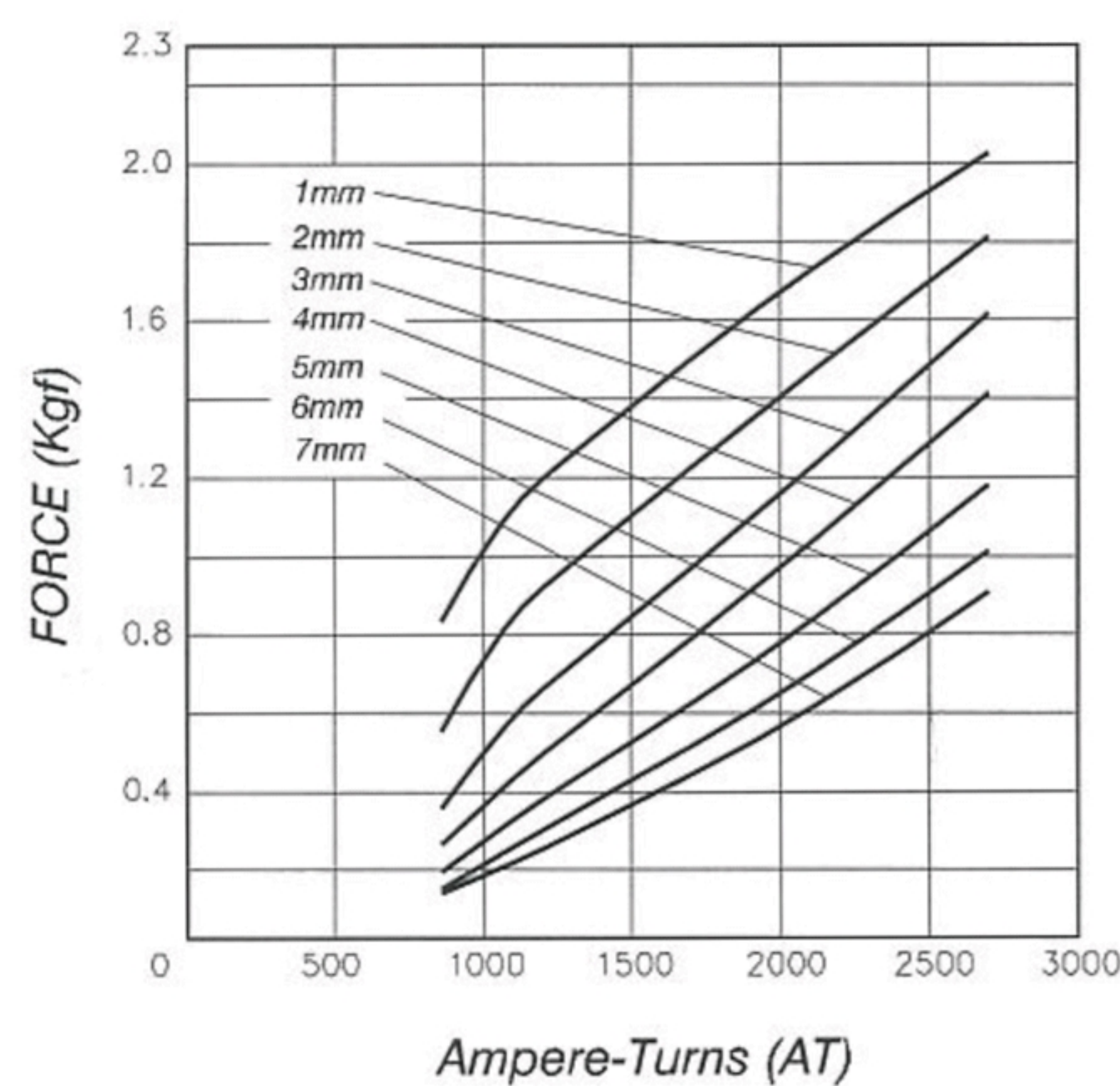
STROKE Vs FORCE 行程 / 吸引力



STROKE Vs RESPONSE TIME 行程 / 反应时间



AMPERE-TURNS Vs FORCE 安-匝 / 吸引力



COIL DATA 线圈资料

Heat Sink: 80 × 80 × 3mm (aluminum)
散热片: 80 × 80 × 3mm (铝)

Duty cycle (%) = $\frac{\text{"ON" time}}{\text{"ON" time} + \text{"OFF" time}} \times 100\%$	Continuous (100%)	Or less (50%)	Or less (25%)	Or less (10%)		
作动周期(%) = $\frac{\text{ON 时间}}{\text{ON 时间} + \text{OFF 时间}} \times 100\%$	连续 (100%)	间断 (50%)	间断 (25%)	间断 (10%)		
MAX. "on" time in seconds 最大 ON 时间 (秒)	∞	230	25	6		
Watts at 20°C 瓦特数(W) (在 20°C)	7	14	28	70		
Ampere-turns at 20°C AT 值 (在 20°C)	855	1200	1700	2700		
Type no.	Resistance (20°C) Ω ± 10%	No. turns	Volts DC 电压			
型号	阻值(Ω) ± 10%	绕线圈数				
HTT-1939S06AA	5.14	733	6	8.5	12	19
HTT-1939S12AA	20.6	1470	12	17	24	38
HTT-1939S24AA	82.3	2930	24	34	48	76
HTT-1939S48AA	329	5800	48	68	96	152