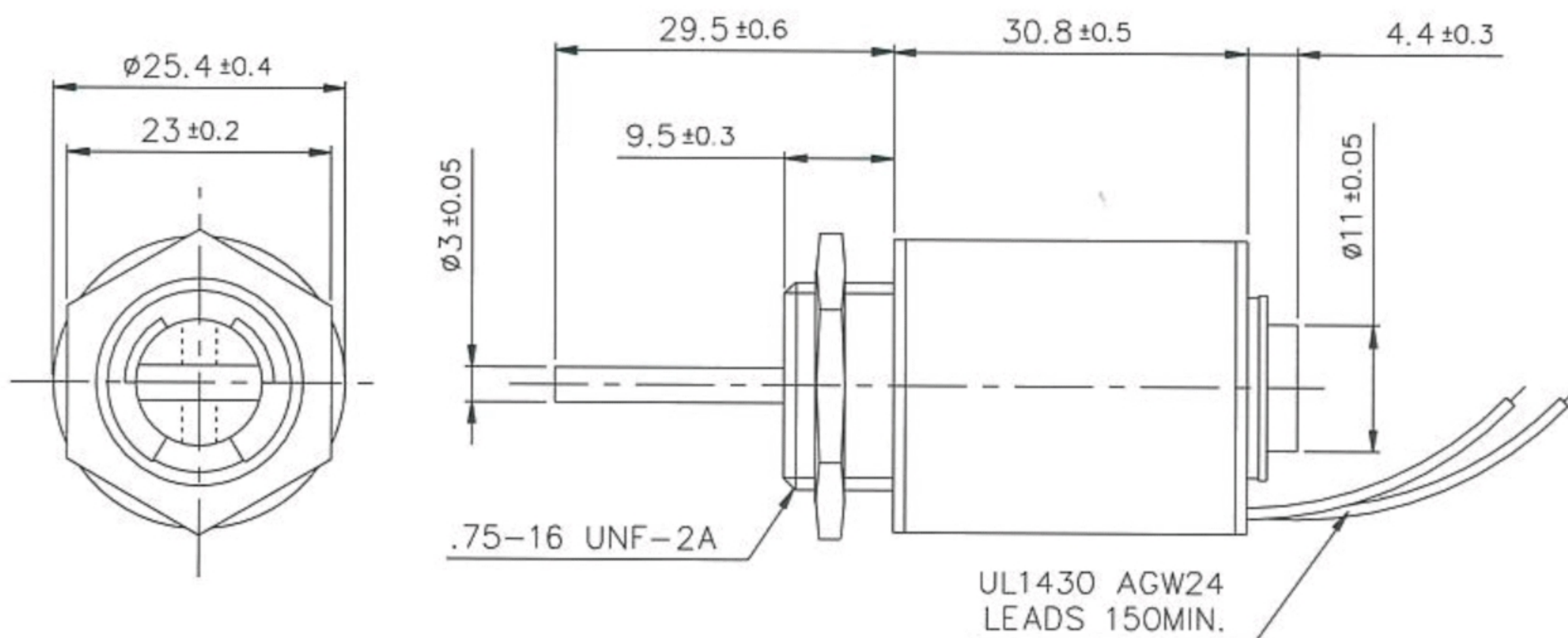
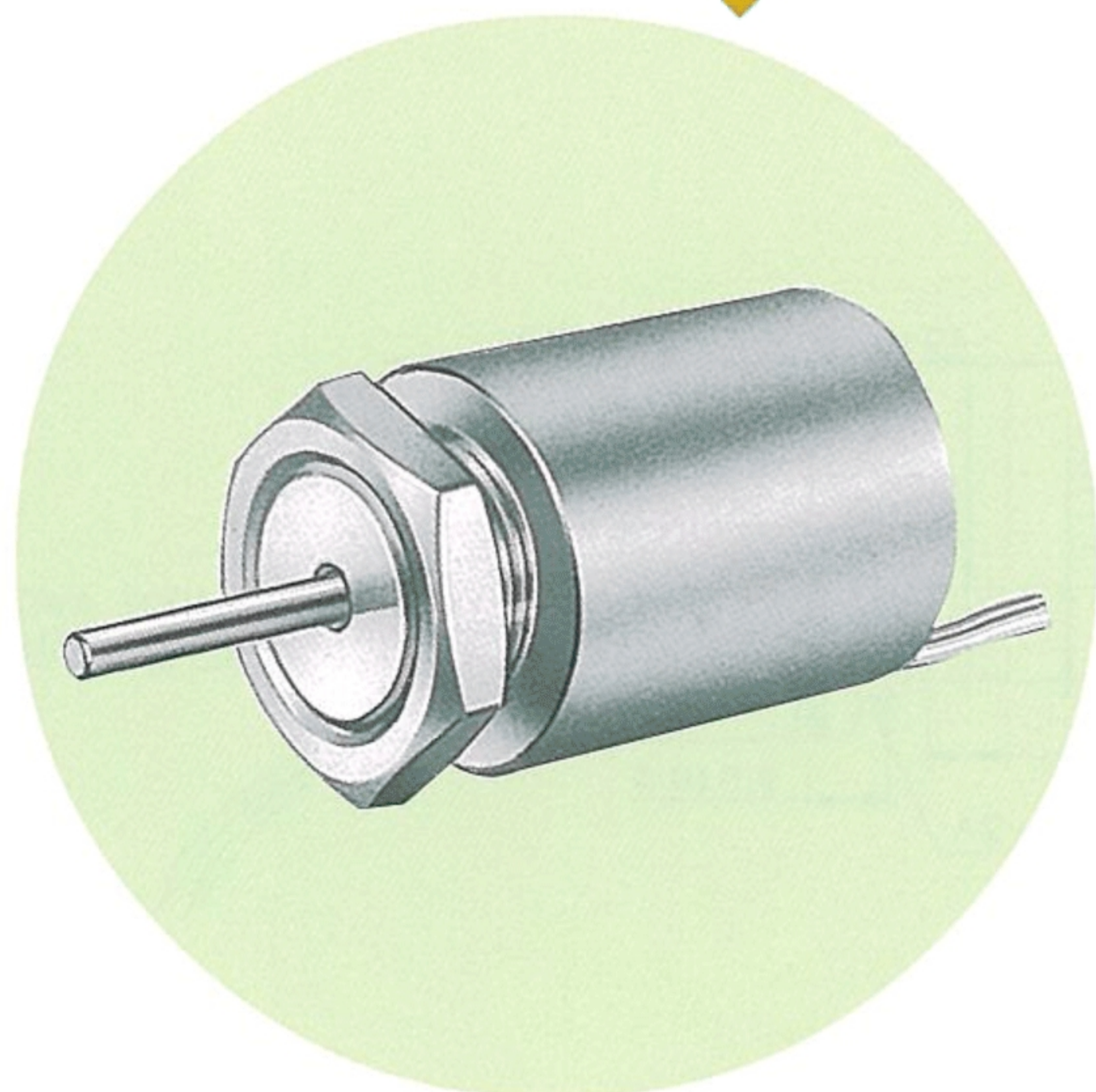


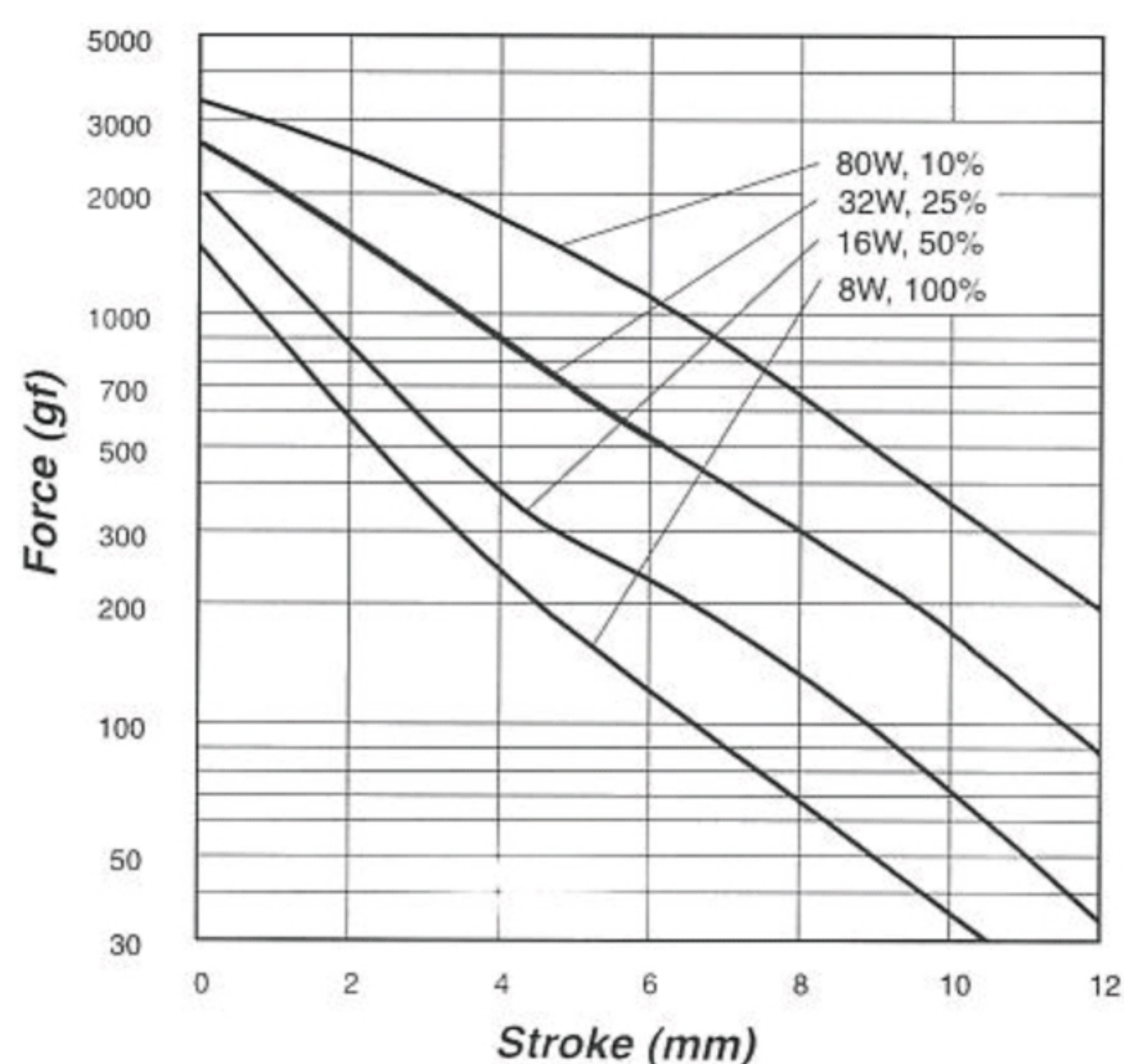
型号/Type no: HTT-2530S



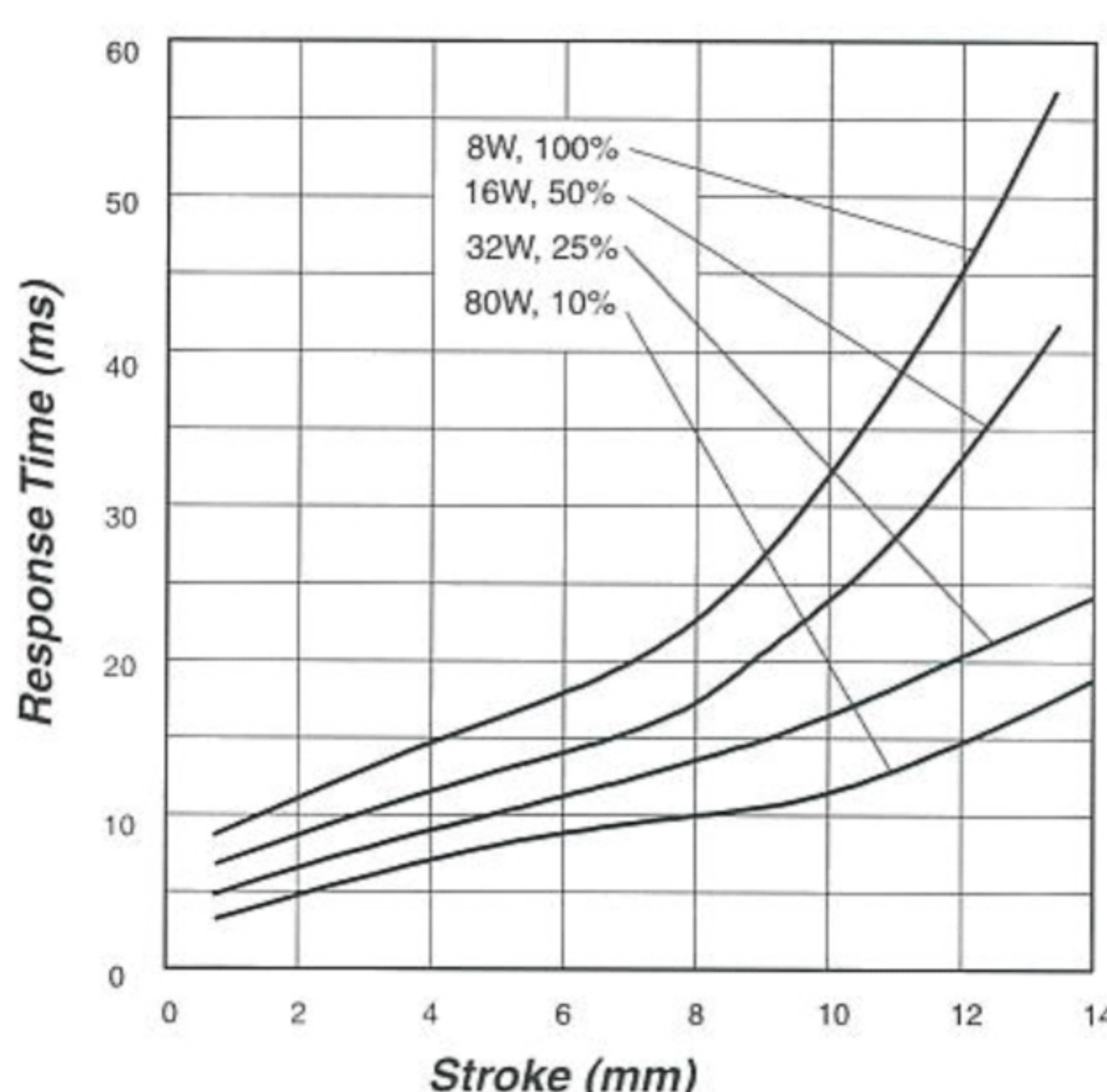
Plunger Weight 可动铁心重量 : 19g
Total Weight 总重量 : 125g

Shown Energized 通电状态 UNIT 单位 : mm

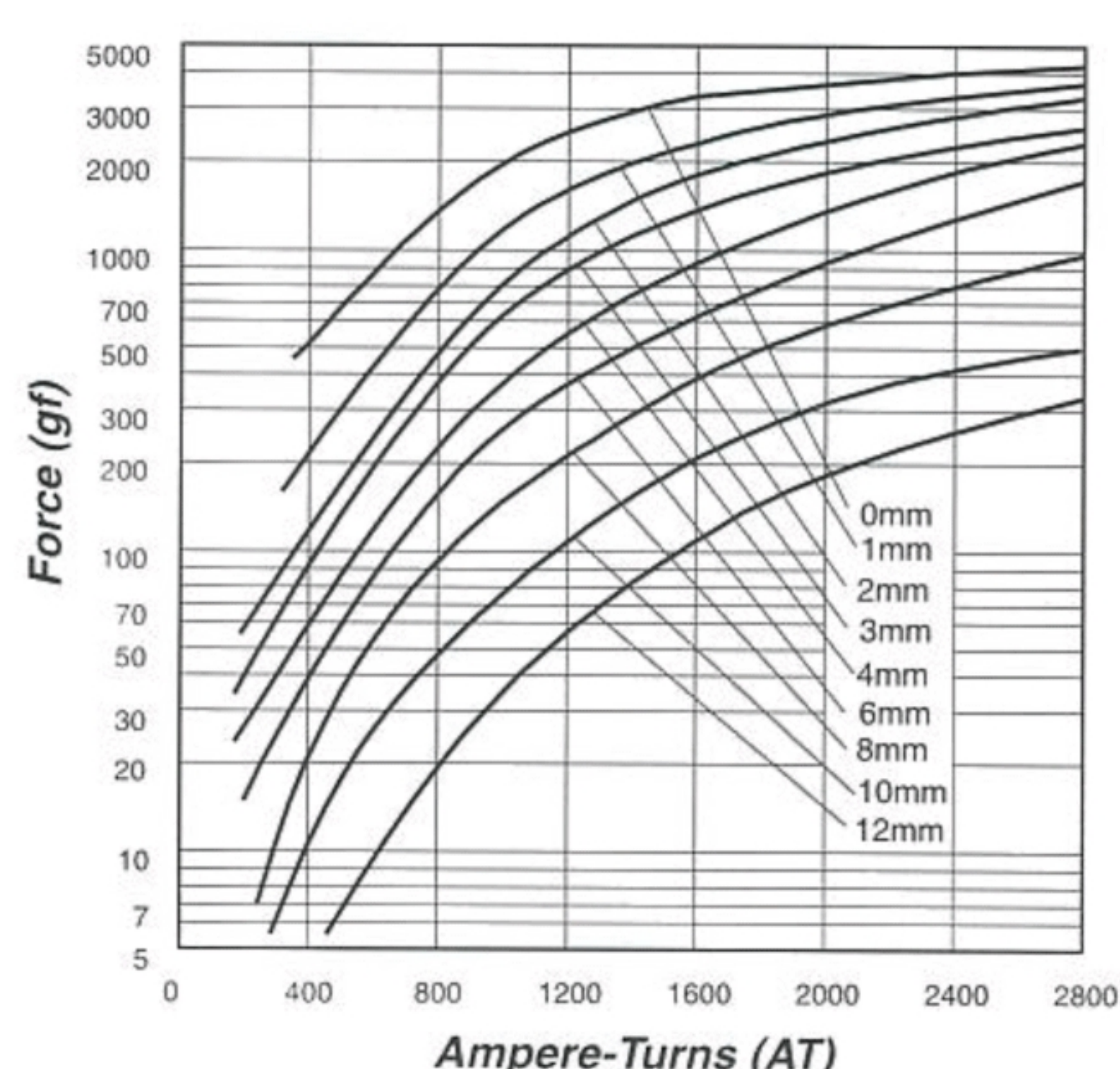
STROKE Vs FORCE 行程 / 吸引力



STROKE Vs RESPONSE TIME 行程 / 反应时间



AMPERE-TURNS Vs FORCE 安-匝 / 吸引力



COIL DATA 线圈资料

Heat Sink: $100 \times 100 \times 3\text{mm}$ (aluminum)
散热片: $100 \times 100 \times 3\text{mm}$ (铝)

Duty cycle (%) = $\frac{\text{"ON" time}}{\text{"ON" time} + \text{"OFF" time}} \times 100\%$	Continuous (100%)	Or less (50%)	Or less (25%)	Or less (10%)		
作动周期(%) = $\frac{\text{ON 时间}}{\text{ON 时间} + \text{OFF 时间}} \times 100\%$	连续 (100%)	间断 (50%)	间断 (25%)	间断 (10%)		
MAX. "on" time in seconds 最大 ON 时间 (秒)	∞	360	32	8		
Watts at 20°C 瓦特数(W) (在 20°C)	8	16	32	80		
Ampere-turns at 20°C AT 值 (在 20°C)	666	942	1332	2106		
Type no.	Resistance (20°C) $\Omega \pm 10\%$	No. turns	Volts DC			
型号	阻值 (Ω) $\pm 10\%$	绕线圈数	电压			
HTT-2530S06AA	4.5	500	6	8.5	12	19
HTT-2530S12AA	18	999	12	17	24	38
HTT-2530S24AA	72	1998	24	34	48	76
HTT-2530S48AA	288	3996	48	68	96	152